

# LED Area Light

LOT-AL-40-1/LOT-AL-60-1  
LOT-AL-80-1/ LOT-AL-100-1



# LED Area Light

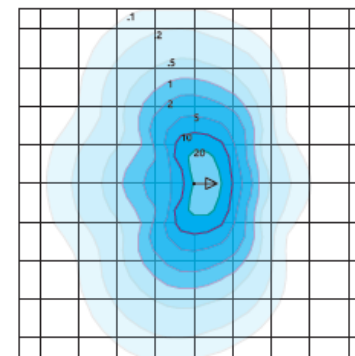
LOT-AL-40-1/LOT-AL-60-1  
LOT-AL-80-1/ LOT-AL-100-1

Product Number	LOT-AL-40-1/LOT-AL-60-1/LOT-AL-80-1/LOT-AL-100-1
Lumen Output	5,460 - 8,060 - 10,660 - 13,260
Wattage	40W - 60W - 80W - 100W
Lumen Efficacy	>130
CCT	3000K - 4000K - 5000K
Beam Angle	T2VS = Type II Very Short T5VS = Type V Very Short
Input Voltage	UNV = Universal 120-277 VAC HV = 347 VAC & 480 VAC
IP Rating	IP65
LED Driver	UL/CUL Listed Constant Current
Certification	ETL, FCC, IES, DLC, LEDLF, RoHS, IDA

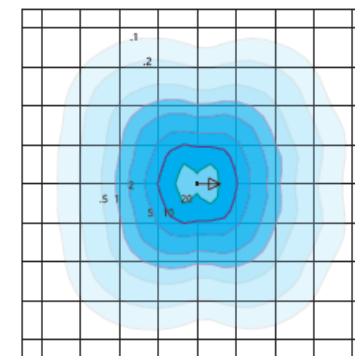
# Product Description

This LED Area Light series, LOT-AL-40-1, is often used to replace halogen style lights in residential communities, commercial plazas, city centers, university campuses, and public gardens. The product comes with an outdoor-rated LED chip, providing stable color consistency, and the built-in heat sink provides heat management, allowing for a lifespan of over 50,000 hours. Waterproof with die-cast aluminum housing, this LED Decorative Area Light is built for durability. Optional features such as daylight sensor controls are also available.

## DISTRIBUTION



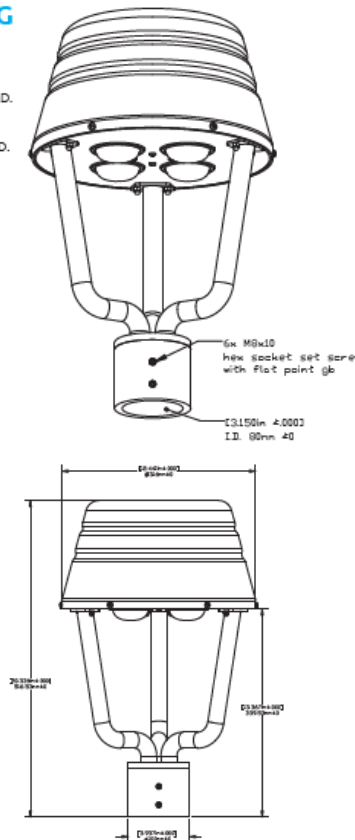
Type II Very Short - T2VS  
Duke Light  
LED-PT-120-P-T2VS-100-850-UNV  
Horizontal Footcandles  
Scale: 1 Mesh = 10 Ft.  
Light Loss Factor = 1.00  
Total Lamp Lumens = 13260.53  
MH = 10.00 Ft, Tilt = 0 Degrees  
Maximum Calculated Value= 30.48 Fc  
Arrangement: Single  
Horizontal Beam Angle (50%): 129.8°  
Vertical Beam Angle (50%): 66.3°



Type V Very Short - T5VS (Standard)  
Duke Light  
LED-PT-120-P-T5VS-100-850-UNV  
Horizontal Footcandles  
Scale: 1 Mesh = 10 Ft.  
Light Loss Factor = 1.00  
Total Lamp Lumens = 13260  
MH = 10.00 Ft, Tilt = 0 Degrees  
Maximum Calculated Value= 24.19 Fc  
Arrangement: Single  
Horizontal Beam Angle (50%): 118.0°  
Vertical Beam Angle (50%): 118.9°

## MOUNTING

Pole Mounted  
3.00 inch (76 mm)  
Max. Diameter Pole O.D.  
2.375 inch (60 mm)  
Min. Diameter Pole O.D.



www.LightingofTomorrow.com  
1-800-538-4446

