

LED Area Light

LOT-AL-40-11/LOT-AL-60-11

LOT-AL-80-11/ LOT-AL-100-11

LOT-AL-120-11/ LOT-AL-150-11



LED Decorative Area Light Fixture

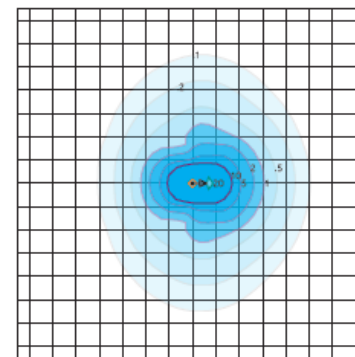
LOT-AL-40-11/LOT-AL-60-11
 LOT-AL-80-11/ LOT-AL-100-11
 LOT-AL-120-11/ LOT-AL-150-11

Product Number	LOT-AL-40-11/LOT-AL-60-11/LOT-AL-80-11 LOT-AL-100-11/LOT-AL-120-11/LOT-AL-150-11
Lumen Output	4,620 - 6,820 - 9,020 - 11,220 - 13,420 - 16,720
Wattage	40W - 60W - 80W - 100W - 120W - 150 W
Lumen Efficacy	>110
CCT	3000K - 4000K - 5000K
Beam Angle	T2VS = Type II Very Short T4VSN = Type IV Very Short Narrow T4VSW = Type IV Very Short Wide T5VS = Type V Very Short
Input Voltage	UNV = Universal 120-277 VAC HV = 347 VAC & 480 VAC
IP Rating	IP65
LED Driver	UL/CUL Listed Constant Current
Certification	ETL, FCC, IES, DLC, LEDLF, RoHS, IDA

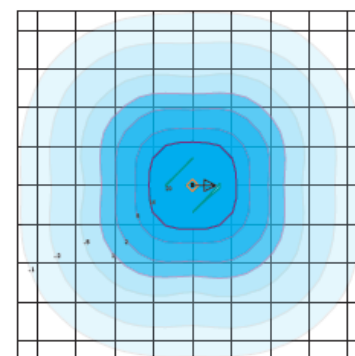
Product Description

The decorative area light series, LOT-AL-40-11, replaces halogen style lights in outdoor shopping areas, residential communities, university campuses, and public gardens. The die-cast aluminum housing is IP65 rated for excellent durability and strength. The waterproof housing of this area light fixture has proven effective for various weather conditions while the powder-coated finish provides long-term protection against ultraviolet light and chipping. The advanced LED optical system provides horizontal and vertical uniformity, reducing glare while providing excellent lighting control.

DISTRIBUTION



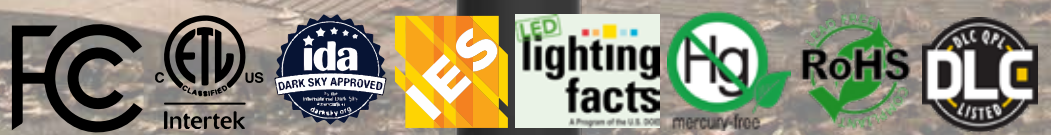
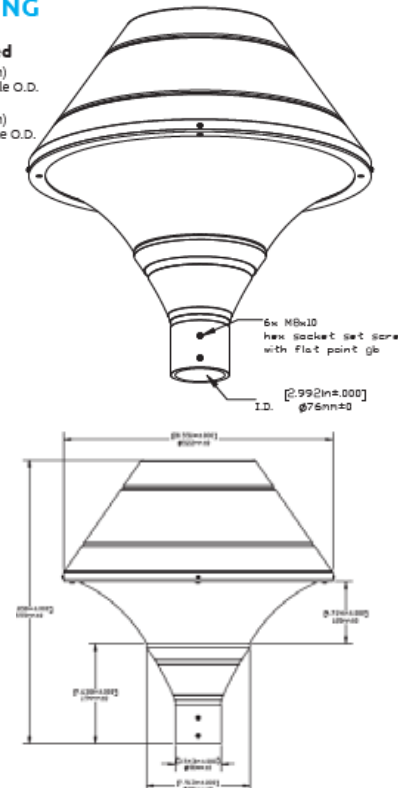
Type IV Very Short Narrow - T4VSN
 Duke Light
 LED-PT-640-P-T4VSN-150-850-UNV
 Horizontal Footcandles
 Scale: 1 Mesh = 10 Ft.
 Light Loss Factor = 1.00
 Total Lamp Lumens = 19771.05
 MH = 10.00 Ft, Tilt = 0 Degrees
 Maximum Calculated Value = 21.29 Fc
 Arrangement: Single
 Horizontal Beam Angle (50%): 74.5°
 Vertical Beam Angle (50%): 39.7°



Type V Very Short - T5VS (Standard)
 Duke Light
 LED-PT-640-P-T5VS-150-850-UNV
 Horizontal Footcandles
 Scale: 1 Mesh = 10 Ft.
 Light Loss Factor = 1.00
 Total Lamp Lumens = 19767.1
 MH = 10.00 Ft, Tilt = 0 Degrees
 Maximum Calculated Value = 20.28 Fc
 Arrangement: Single
 Horizontal Beam Angle (50%): 119.8°
 Vertical Beam Angle (50%): 134.1°

MOUNTING

Pole Mounted
 2.875 inch (73 mm)
 Max. Diameter Pole O.D.
 2.375 inch (60 mm)
 Min. Diameter Pole O.D.



www.LightingofTomorrow.com
 1-800-538-4446