

LED Area Light

LOT-AL-40-13/ LOT-AL-60-13

LOT-AL-80-13/ LOT-AL-100-13

LOT-AL-120-13/ LOT-AL-150-13



LED Illuminating Pole Light

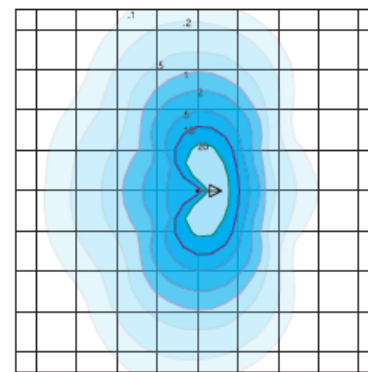
LOT-AL-40-13/ LOT-AL-60-13
 LOT-AL-80-13/ LOT-AL-100-13
 LOT-AL-120-13/ LOT-AL-150-13

Product Number	LOT-AL-40-13/ LOT-AL-60-13/ LOT-AL-80-13 LOT-AL-100-13/ LOT-AL-120-13/ LOT-AL-150-13
Lumen Output	4,620 - 6,820 - 9,020 - 11,220 - 13,420 - 16,720
Wattage	40W - 60W - 80W - 100W - 120W - 150 W
Lumen Efficacy	>110
CCT	3000K - 4000K - 5000K
Beam Angle	T2VS = Type II Very Short T5VS = Type V Very Short
Input Voltage	UNV = Universal 120-277 VAC HV = 347 VAC & 480 VAC
IP Rating	IP65
LED Driver	UL/CUL Listed Constant Current
Certification	ETL, FCC, IES, DLC, LEDLF, RoHS, IDA

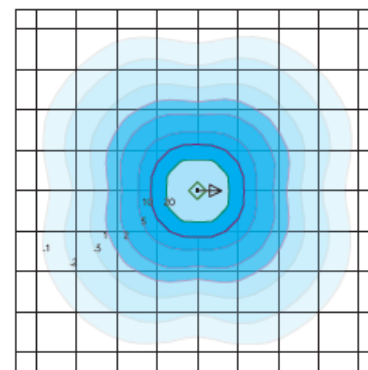
Product Description

The LOT-AL-40-13 series is an excellent light for both commercial and residential properties. Designed for superior photometric performance and architectural appeal, this light comes equipped with a rated LED chip and advanced optical system providing stable color consistency, energy efficiency, reduced glare, and excellent light quality. This architectural pole light offers IP65 rated housing, providing excellent strength and durability for multiple weather conditions. This series has a lifespan of over 50,000 hours and a 5-year manufacturer warranty.

DISTRIBUTION



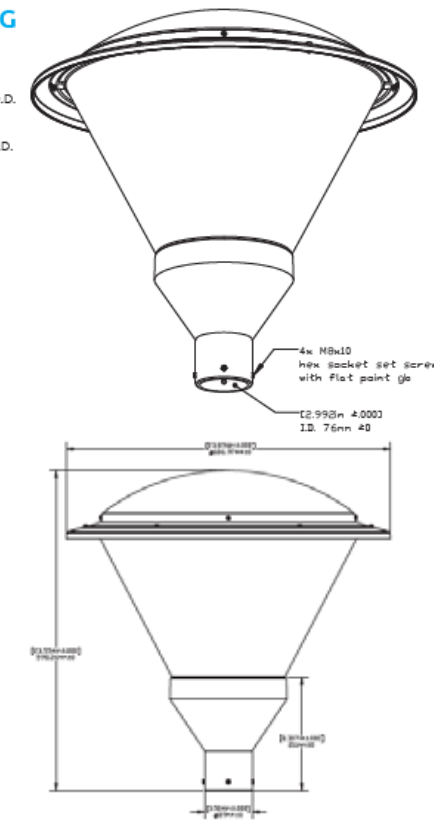
Type II Short - T2S
 Duke Light
 LED-PT-642-P-T2S-150-850-UNV
 Horizontal Footcandles
 Scale: 1 Mesh = 10 Ft.
 Light Loss Factor = 1.00
 Total Lamp Lumens = 19769.7
 MH = 10.00 Ft, Tilt = 0 Degrees
 Maximum Calculated Value = 33.98 Fc
 Arrangement: Single
 Horizontal Beam Angle (50%): 137.0°
 Vertical Beam Angle (50%): 75.6°



Type V Very Short - T5VS (Standard)
 Duke Light
 LED-PT-642-P-T5VS-150-850-UNV
 Horizontal Footcandles
 Scale: 1 Mesh = 10 Ft.
 Light Loss Factor = 1.00
 Total Lamp Lumens = 19769.3
 MH = 10.00 Ft, Tilt = 0 Degrees
 Maximum Calculated Value = 29.47 Fc
 Arrangement: Single
 Horizontal Beam Angle (50%): 116.1°
 Vertical Beam Angle (50%): 124.0°

MOUNTING

Pole Mounted
 2.875 inch (73 mm)
 Max. Diameter Pole O.D.
 2.375 inch (60 mm)
 Min. Diameter Pole O.D.



www.LightingofTomorrow.com
 1 - 800 - 538 - 4446

