

High Bay

LED Commercial High Bay



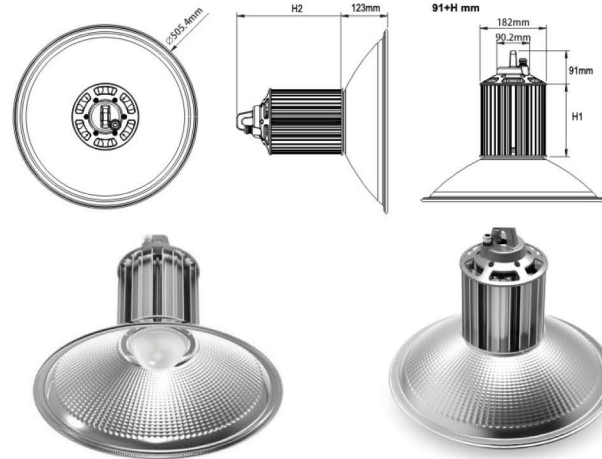
IP65
5 YEAR WARRANTY



LED High Bay Style C

Part Number	LOT-BAY-60-81	LOT-BAY-80-81	LOT-BAY100-81	LOT-BAY-120-81	LOT-BAY-150-81	LOT-BAY-200-81	LOT-BAY-240-81	LOT-BAY-300-81	LOT-BAY-400-81
Lumen Output	7,200lm	9,600lm	12,000lm	214,400lm	18,000lm	24,000lm	28,800lm	36,000lm	48,000lm
Wattage	60W	80W	100W	120W	150W	200W	240W	300W	400W
Lumen Efficacy	120lm/W								
CCT	2700 - 6500K								
Beam Angle	45° / 60° / 90° / 120°								
Input Voltage	90-277Vac 50/60HZ PF 0.90								
IP Rating	IP 65								
LED Driver	Meanwell								
Certification	UL, CE, PSE, SAA, RoHS								

Details



LED Technology

The LED High Bay C Series provides lighting for both commercialized and industrial use. This high bay light is made up with aluminum, so it provides a heat pipe cooling solution that lengthens its general lifespan. The lifespan of this light is up to 50,000 hours. This product also comes with a waterproof seal gasket that prevents condensation. This product is designed for easy set-up and installation, as well as easy maintenance. The LED High Bay C Series have passed UL, CUL, FCC, SAA, DLC, CE, RoHS, and C-TICK certifications.



www.lightingoftomorrow.com
1-800-538-4446