

# T8 LED Tube Light

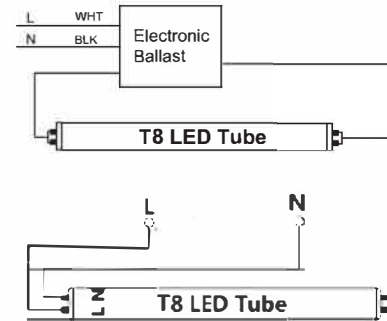
LED Tube Light



## LED Aluminum T8 Tube Light

Part Number	2' LOT-BL-10-6	LOTBL-12-6	LOT-BL-15-6	LOT-BL-18-6
Lumen Output	880lm	1,650lm	1,980lm	2420lm
Wattage	10W	12W	15W	18W
Lumen Efficacy	110-130lm/W			
CCT	3000K, 4000K, 5000K, 6000K			
Beam Angle	220°			
Input Voltage	100-277Vac 50/60Hz PF 0.9			
IP Rating	IP 20			
LED Driver	Meanwell			
Certification	UL, CE, PSE, SAA, RoHS			

### Details



### LED Technology

The USA Optimized T8 LED Tube Light with Aluminum Case can provide lighting for both outdoor and indoor use. This product is environmentally-friendly and mercury-free, so it has a hazard-free installation, removal, and disposal. This product has an aluminum casing that provides excellent heat dissipation and long lifespan. This product has internal constant current driver that features an instant start up or shut down mechanism with no warning time to prevent overpowering, overheating, electrical shorting and overexposed circuitry. This product also uses the Japanese RUBYCON IC for complete protective measures.



[www.lightingoftomorrow.com](http://www.lightingoftomorrow.com)  
1-800-538-4446