

Stainless Steel LED Solar Bollard Light

LOT-BOL-M-3



Stainless Steel LED Solar Bollard Light

LOT-BOL-M-3

Product Description

The Stainless Steel LED Solar Bollard Light is an energy-saving outdoor lamp perfect for commercial walkways, residential community lighting, university campuses, park lighting and garden paths. This elegant lamp is made of durable stainless steel with thick glass encasing the bulb to prevent any environmental damage or water leakage. The integrated Lithium-ion battery pack lasts for 1000 charges (approximately 3 years) and can be replaced for additional years of operation. A full day of direct sunlight will provide up to 12 hours of illumination.

Product Number	LOT-BOL-M-3
Battery	Replaceable Lithium Ion Battery Pack
Wattage	Bulb
Lumen Efficacy	100lm/w
CCT	3000k - 4000k - 5000k
Power Source	Monocrystalline Solar Cell
Voltage	3.2v
Solar Panel	1.6W
Size	8 x 8 x 24 inch
Light Duration	Up to 12 hours



www.Lightingoftomorrow.com
1-800-538-4446

Powerful LED Area Flood

LOT-AL-300-30



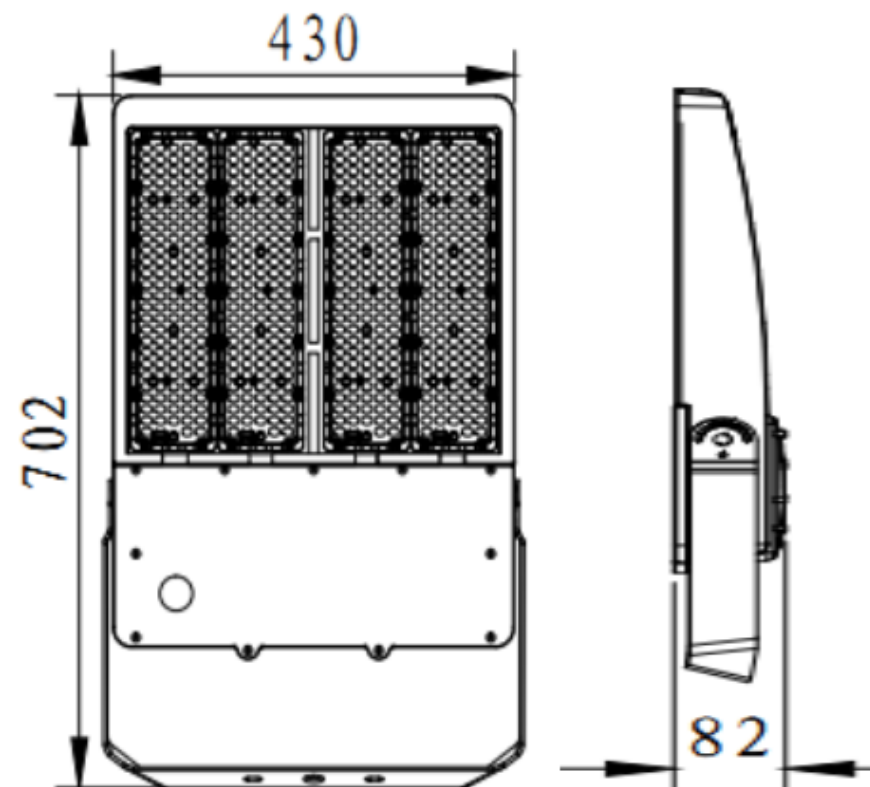
Powerful LED Area Flood

LOT-AL-300-30

Product Number	LOT-AL-300-30
Lumen Output	37500lm - 52000lm
Wattage	300W - 400W
Lumen Efficacy	130-135lm/w
CCT	3000k - 4000k - 5000k
Beam Angle	Type II, Type III, Type IV, 90° 120°
Input Voltage	100-277v 277-480v
IP Rating	IP65
Size	21 1/4x14 5/8 x 2 7/8 inch

Product Description

This Powerful LED Area Flood Light is used to replace halogen style lights in commercial plazas, industrial areas, parking lots, and tennis courts. The aluminum heat sink provides heat management, while the powder coating finish and waterproof design of this fixture make it an excellent choice for durable outdoor area lighting. The LU-MILEDS chip provides stable color consistency with low degradation. The Powerful LED Area Flood Light has several mounting options and is also available with optional features such as motion and daylight sensor controls.



www.LightingofTomorrow.com
1-800-538-4446

LED Flood Pole Light

LOT-AL-460-31



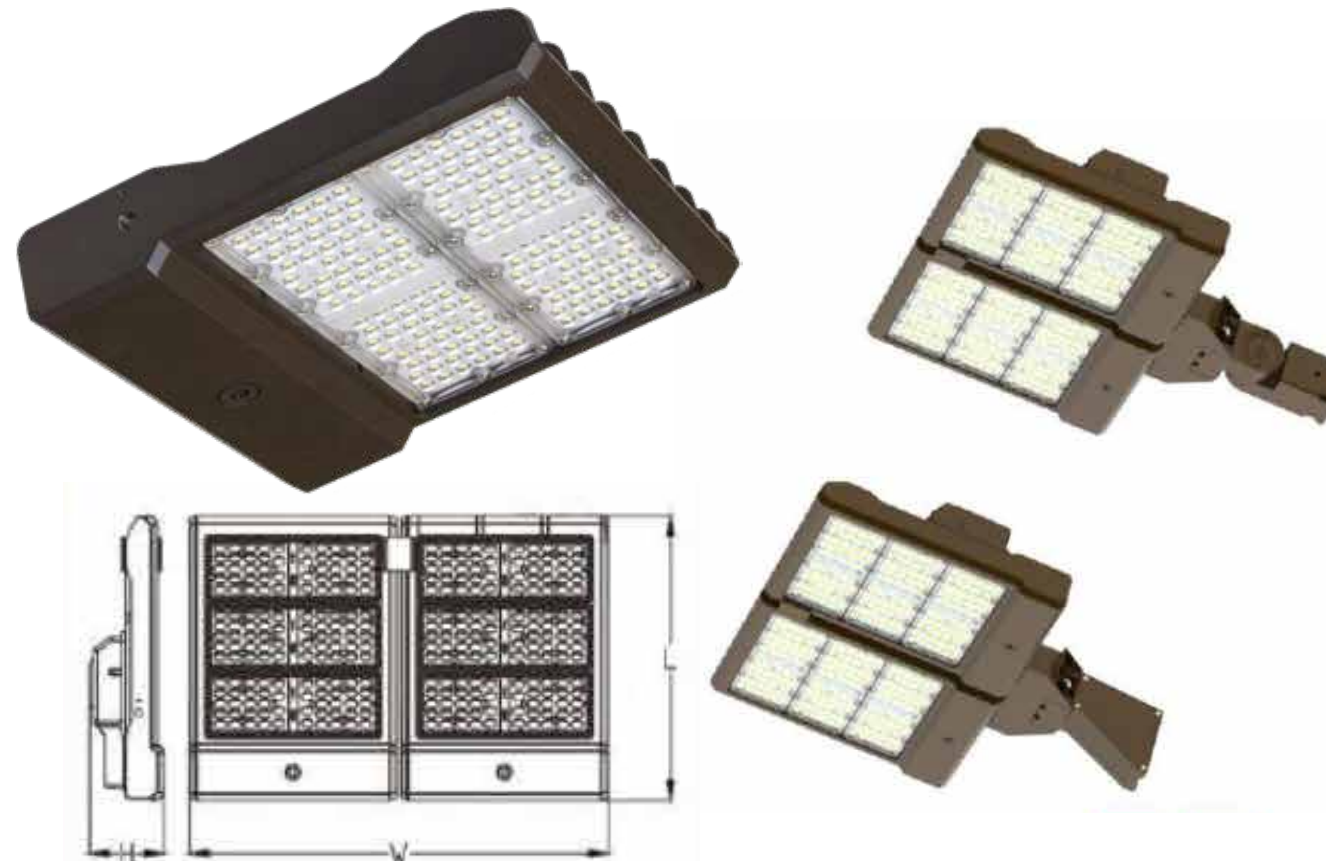
LED Flood Pole Light

LOT-AL-460-31

Product Number	LOT-AL-460-31
Lumen Output	57500lm - 87000lm
Wattage	460W - 600W
Lumen Efficacy	125-145lm/w
CCT	3000k - 4000k - 5000k
Beam Angle	Type II, Type IV, Type V, 90° 120°
Input Voltage	100-277v 277-480v
IP Rating	IP65
Size	13 3/8x25 1/2 x 3 3/4 inch

Product Description

The LED Flood Pole Light is often used in parks, university campuses, city centers, tennis courts, residential communities, and commercial plazas to replace halogen style lights. This product comes with an outdoor-rated LUMI-LEDS LED chip which provides stable color consistency. The built-in aluminum heat sink provides heat management, allowing for a long lifespan. The LED Flood Pole Light is built for outdoor use as it is waterproof with strong aluminum housing. Optional features such as various mounting options, motion sensor, and daylight sensor controls are also available.



www.LightingofTomorrow.com
1-800-538-4446

Multi-use LED Flood Light

LOT-FL-12-16



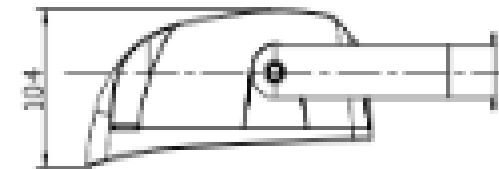
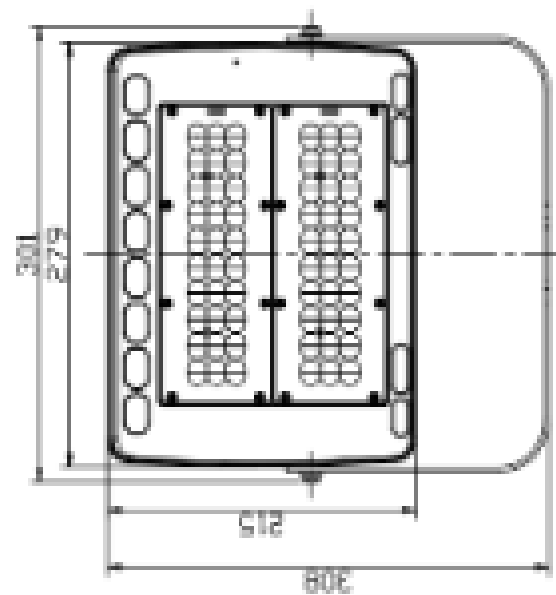
Multi-use LED Flood Light

LOT-FL-12-16

Product Number	LOT-FL-12-16
Lumen Output	1320lm - 3300lm - 5500lm
Wattage	12W - 30W - 50W
Lumen Efficacy	105-110lm/w
CCT	3000k - 4000k - 5000k
Beam Angle	90x120°
Input Voltage	100-277v
IP Rating	IP65
Size	4,72x3,27x2,60 inch

Product Description

The Multi-Use LED Flood Light is a fantastic light for billboards, exterior architectural lighting, and tree or ornament lighting. Made for the outdoors, this flood light is built for durability with an aluminum body and built-in heat sink. The size of the fixture makes it suitable for various applications and multiple mounting options are available. The Multi-Use LED Flood Light uses a LUMILEDS light source which provides intense, bright lighting that does not emit harmful UV lights.



www.Lightingoftomorrow.com
1-800-538-4446



Versatile LED Flood Light

LOT-FL-15-15



Versatile LED Flood Light

LOT-FL-15-15

Product Number	LOT-FL-15-15
Lumen Output	1725lm - 53450lm - 6000lm
Wattage	15W - 30W - 50W
Lumen Efficacy	111-120lm/w
CCT	3000k - 4000k - 5000k
Beam Angle	120x90°
Input Voltage	100-277v
IP Rating	IP65
Size	4,74x3,27x2,60 inch

Product Description

The Versatile LED Flood Light has a wide range of possible applications such as exterior lighting for buildings, billboards, landscape displays, and monuments. This flood light is available in many wattages and size options with different mounts. An outdoor light built for durability, the Versatile LED Flood Light has an aluminum bod and impact resistant polycarbonate lens. The LUMILEDS LED technology provides intense, bright lighting that does not emit harmful UV lights.



Powerful LED Flood Light

LOT-FL-100-17



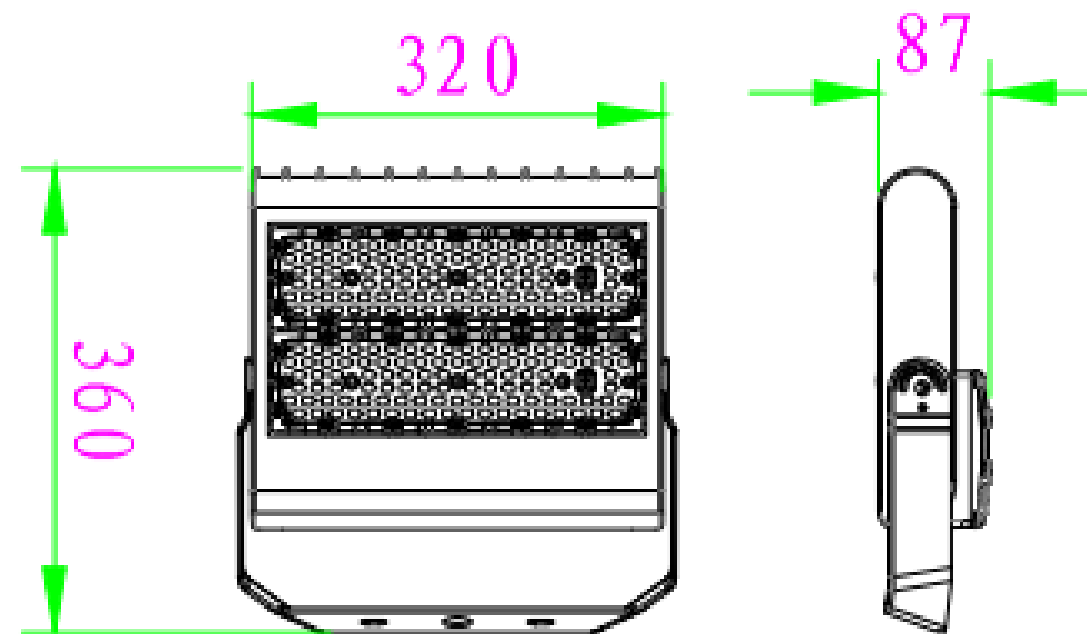
Powerful Led Flood Light

LOT-FL-100-17

Product Number	LOT-FL-100-17
Lumen Output	13500lm -20250lm
Wattage	100W - 150W
Lumen Efficacy	135 lm/w
CCT	3000k - 4000k - 5000k
Beam Angle	Type II, Type III, Type IV, 90° 120°
Input Voltage	100-277v 277-480v
IP Rating	IP65
Size	11 x 1258 x 33,8 inch

Product Description

The Powerful LED Flood Light is a bright LED light with multiple possible applications. An outdoor light built for durability, this light fixture has an aluminum body and impact resistant polycarbonate lens. Made with LUMI-LEDS LEDs, this powerful flood light provides intense, bright lighting free from harmful UV lights. Available in various wattages and sizes with different mounting options, the Powerful LED Flood is excellent for exterior areas such as buildings, monuments, billboards, and parking lots.



www.LightingofTomorrow.com
1-800-538-4446

LED Landscape Spot Light

LOT-SP-6-7



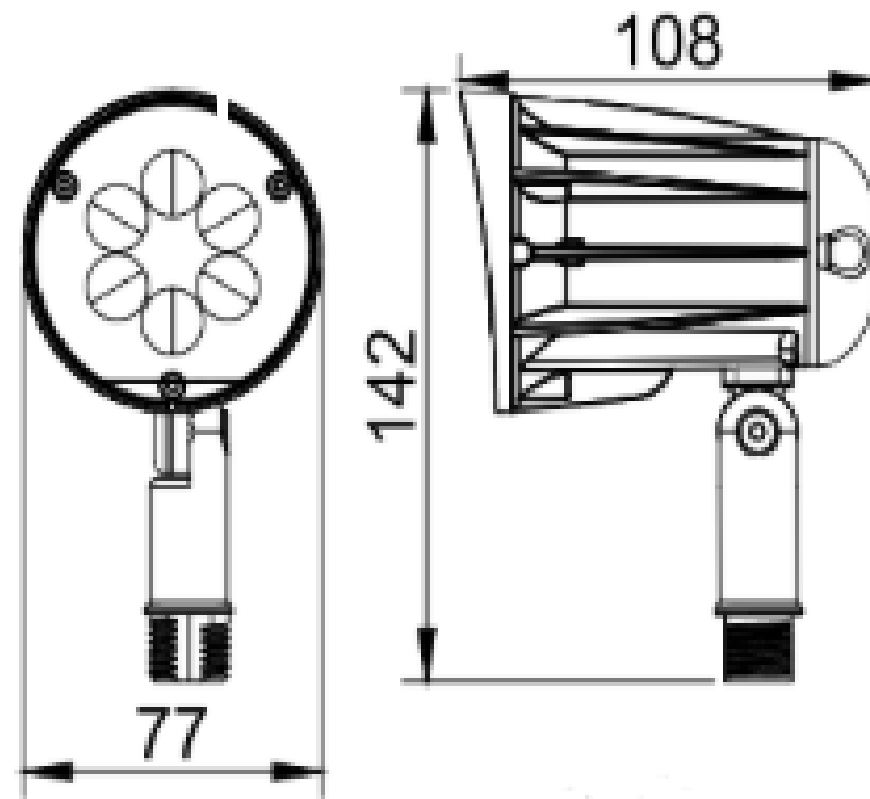
LED Landscape Spot Light

LOT-SP-6-7

Product Number	LOT-SP-6-7
Lumen Output	680lm - 1370lm - 2740lm - 4000lm - 5700lm - 1700lm - 4200lm
Wattage	6W - 12W - 24W - 33W - 50W - 15W - 28W - 42W
Lumen Efficacy	114lm/w
CCT	3000k - 4000k - 5000k
Beam Angle	30° 60°
Input Voltage	12v 100-277v
IP Rating	IP65
Size	3 x 4,3 inch

Product Description

This LED Landscape Spot Light series is an excellent solution for bringing clear, consistent lighting to your property's landscape. Built for outdoor use, this fixture has an aluminum body with a built-in heat sink and a strong polycarbonate lens that resists both impact and friction. The LUMILEDS light source which provides bright, stable lighting free of hazardous materials or UV light. Use on trees, monuments, or building exteriors for excellent results.



www.Lightingoftomorrow.com
1-800-538-4446

LED Solar Street Light

LOT-ST-8-24



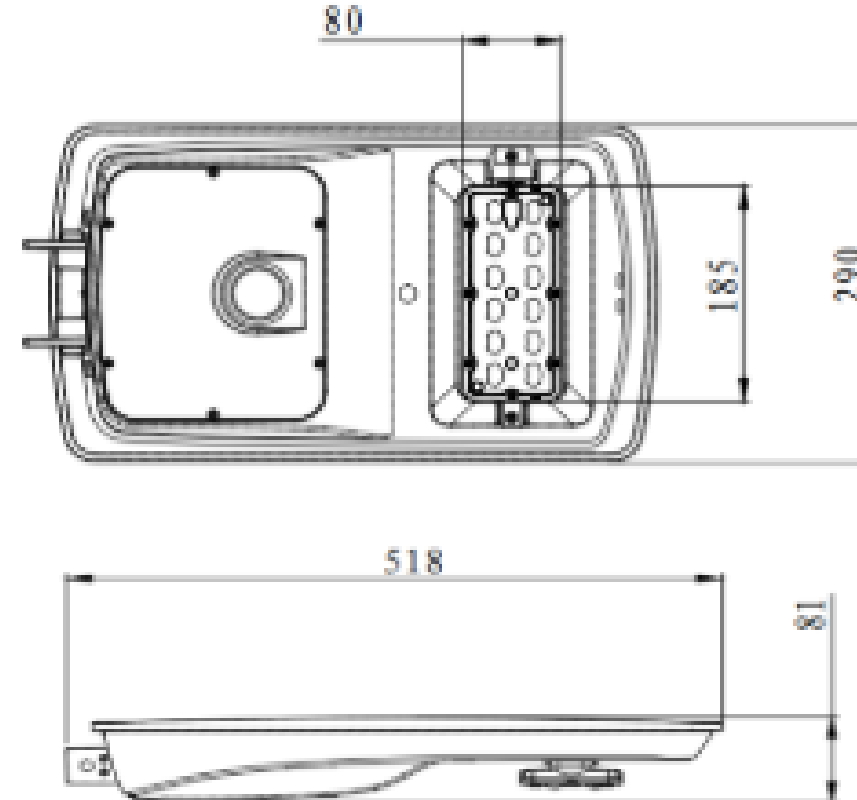
LED Solar Street Light

LOT-ST-8-24

Product Number	LOT-ST-8-24
Lumen Output	1600lm - 4000lm - 5000lm
Solar Panel	17W - 36W - 54W
Lumen Efficacy	200lm/w
CCT	3000k - 4000k - 5000k
Beam Angle	Type III
Battery	115WH - 245WH - 385WH
IP Rating	IP65
Size	20 x 11 5/8 x 3 1/4 inch

Product Description

The LED Solar Street Light is part of the new wave in lighting technology. This eco-friendly light fixture is used on roadways, streets, and highways to provide quality lighting without wasting unnecessary electricity. The angle of the solar panel is adjustable to accommodate various sun positions and the built-in high efficiency controller has multiple power saving modes to adhere to area conditions and local requirements. The monocrystalline silicone panel has 19% efficiency and the A-grade battery has a lifespan of over 2,000-cycles.



www.Lightingoftomorrow.com
1 - 800 - 538 - 4446

