

## Recessed LED Pool & Fountain Light - RGB

LOT-SP-3-4/LOT-SP-6-4/LOT-SP-9-4  
 LOT-SP-12-4/LOT-SP-18-4/LOT-SP-36-4



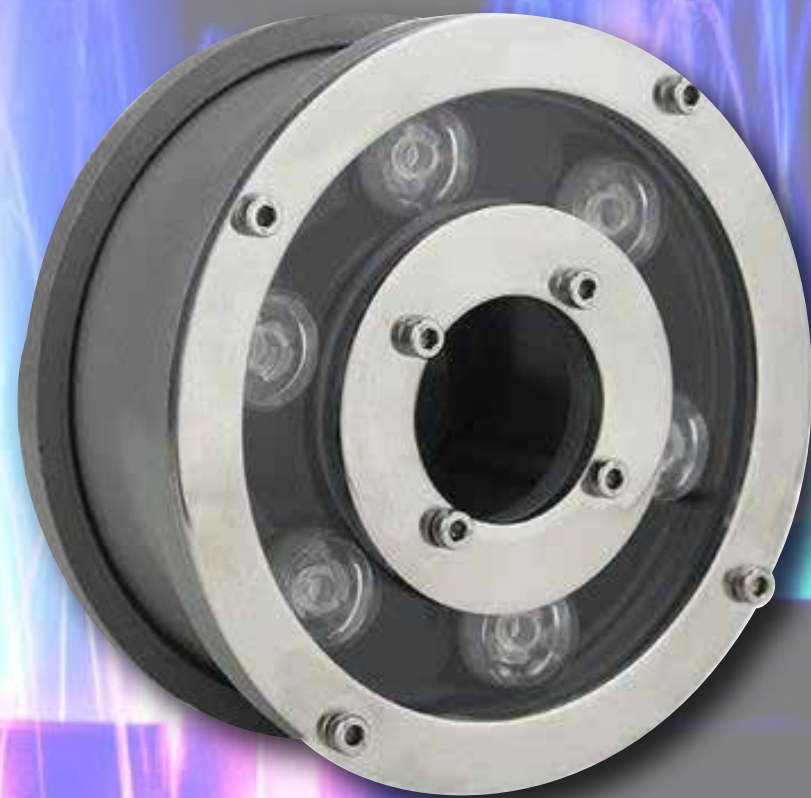
## Recessed LED Pool & Fountain Light - RGB

LOT-SP-3-4/LOT-SP-6-4/LOT-SP-9-4  
 LOT-SP-12-4/LOT-SP-18-4/LOT-SP-36-4

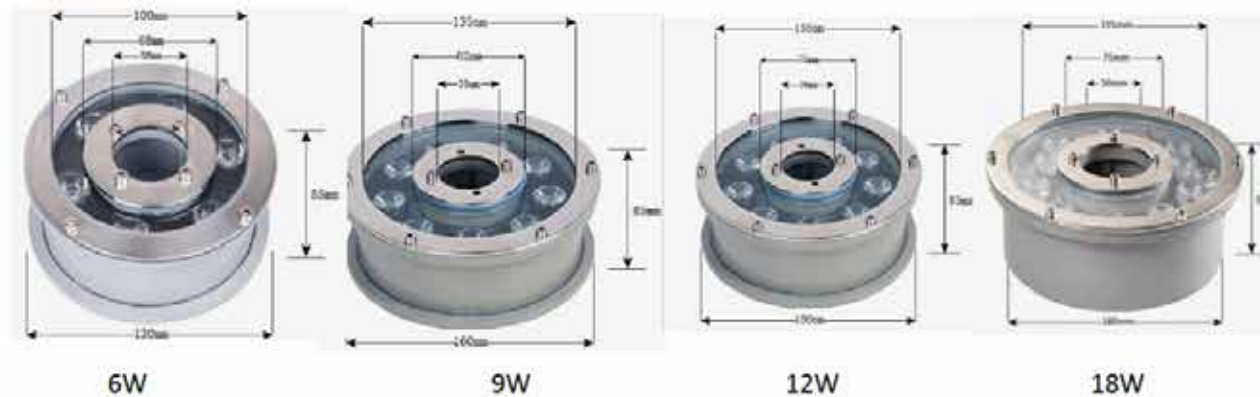
Product Number	LOT-SP-3-4/LOT-SP-6-4/LOT-SP-9-4/LOT-SP-12-4/LOT-SP-18-4/LOT-SP-36-4
Wattage	3W - 6W - 9W - 12W - 18W - 36W
CCT	RGB
Beam Angle	15° 30° 45° 60° 90°
Input Voltage	DC24v
IP Rating	IP68
Size	130x85mm 160x85mm 180x85mm
LED Chip	Edison

## Product Description

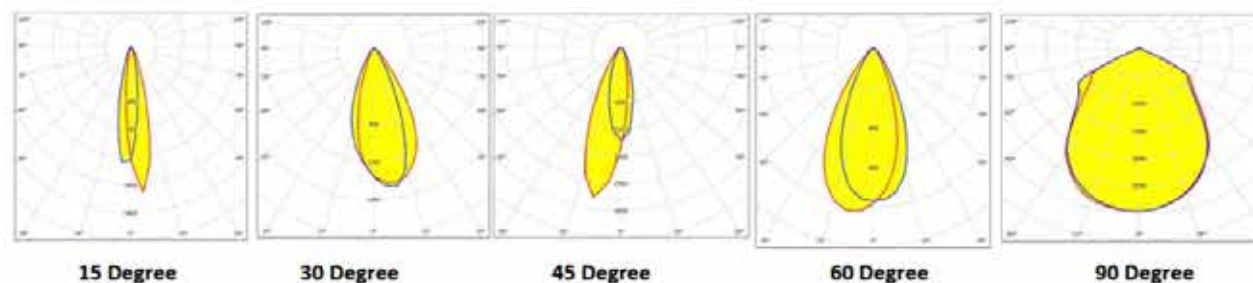
The Recessed LED Pool & Fountain Light – RGB provides dynamic LED lighting for pools, hot tubs, fountains, and other water features. Restaurants, condominiums, hotels, and community association amenities can benefit from this underwater light. Waterproof with stainless steel housing, this LED Pool & Fountain light is designed for total immersion with an IP68 rating. Available as Control RGB, Auto RGB, or DMX RGB, there are multiple options enabling you to change color settings with ease. This light has an Edison chip and comes in various angle options and wattage options.



Dimension:



Light Distribution Curve



[www.LightingofTomorrow.com](http://www.LightingofTomorrow.com)  
 1-800-538-4446

