

# 400W LED SHOEBOX LIGHT



## Features

- Lumileds LED, high luminous efficiency and long working life.
- High efficiency LED Driver, the wide range input voltage AC120-277V/AC277-480V.
- Die Cast aluminum cooling design, high quality and better cooling for LED  $T_j < 85^\circ\text{C}$
- Excellent Optics design greatly improve the light utilization and evenness.
- Photocell and Motion Sensor Control Available (Option).

## Product Applications

LED SHOEBOX LIGHT series can be widely used in outdoor lighting (Wet location), Excellent for Museums, Art Galleries, Underground parking lot, Buildings, The lawn, Industrial areas, Residential areas, Sidewalks, Parking lot, Schools and etc, and many more applications.

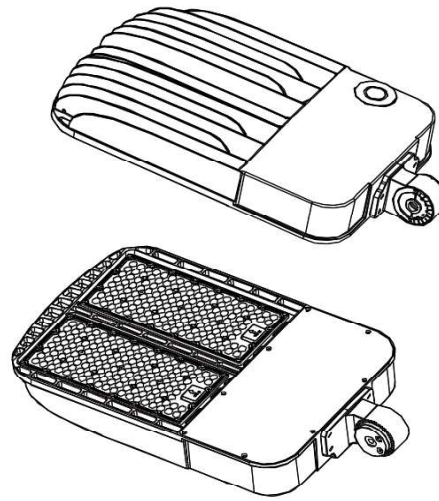
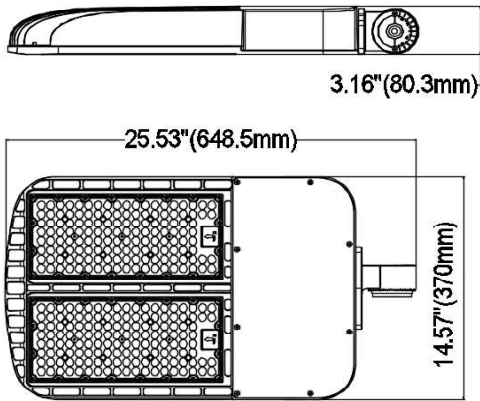


# Specifications

Unit : inch(mm)

### Structure Features

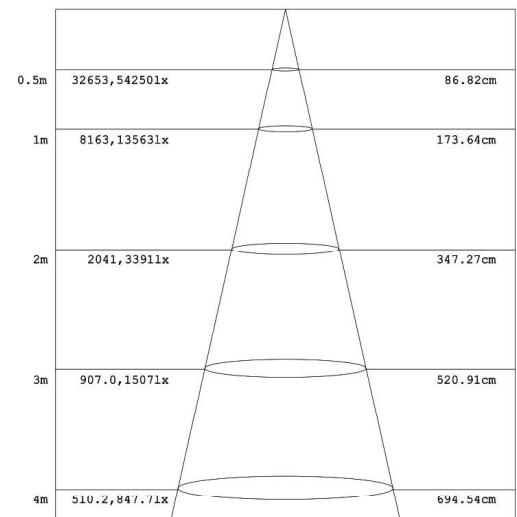
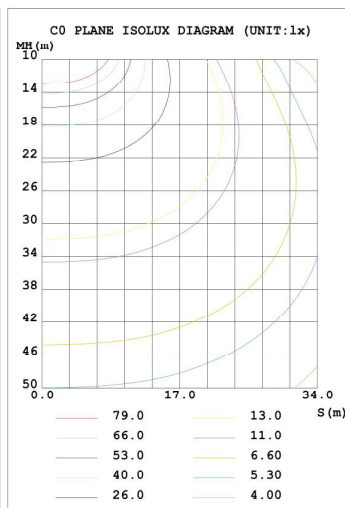
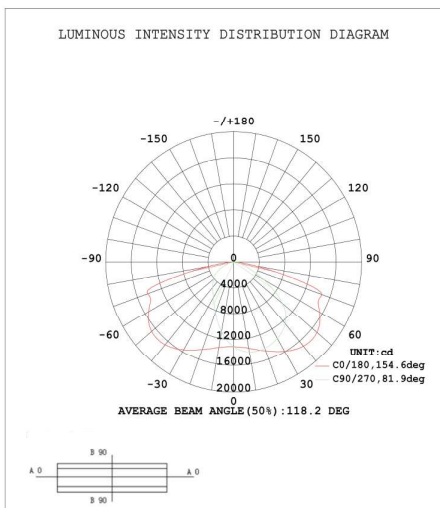
- Shell materials: Aluminum & PC.
- Finish: Dark Bronze/White
- Net weight : 9.72Kg (21.4 lbs)
- Product Size:648mm\*370mm\*80.3mm
- Carton Size:730mm\*440mm\*155mm



# Technical Parameters

LOT-ST-400-22			
Power	400W	Lighting Angle	Type II, III, IV,V
Input Voltage	AC120-277V/AC277-480V	LED Brightness Decay	<5%/6000 hrs
PF	>0.95	Working Life	>50000 hrs
Driver Efficiency	>90%	Working Temperature	-30 - +45°C
Luminous Flux	50964 Lm	Storage Temperature	-40 -+80°C
Color Temperature	4000K/5000K	Protection Level	Wet Location/IP66
CRI	Ra>80	Cable	3 core , 18AWG
Optional dimming function	1-10Vdc	EPA	3.1FT <sup>2</sup>

# PHOTOMETRY

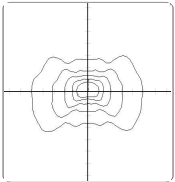


SB	40W	27	XXK	Z	TN	U	Y	E
Product	Power	Voltage	Color Temp	Finish	Light Angle	Mounting Mean	Control	Control
SB	40W(400W)	27	40K(4000K)	D(Dark Bronze)	T2(Type II)	S(slip fitter)	P	M
SHOEBOX		AC120-277V	50K(5000K)	W(White)	T3(Type III)	A(Arm)	Photocell	Motion sensor
		48	±500K	B(Black)	T4(Type IV)	T(Trunnion)		
		AC277-480V		S(Silvery)	T5(Type V)			

## PHOTOMETRICS

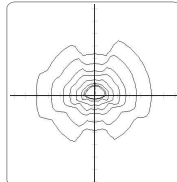
### Type 2:

Type 2 optics produce a symmetrical pattern that evenly shines light on both sides of the lamp. In a back-to-back configuration, it creates a rectangular pattern.



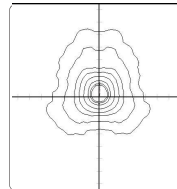
### Type 3:

Type 3 optics produce an asymmetrical pattern that directs the majority of the light forward and equally on both sides of the luminaire. In a back-to-back configuration, it creates a rectangular pattern.



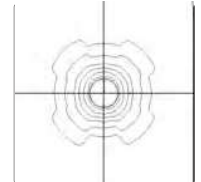
### Type 4:

Type 4 is suitable for applications where light is primarily required forward with minimal backlight. Typical installations include perimeter poles.



### Type 5:

Type 5 optics produce a symmetrical square distribution pattern that distributes light equally on all sides of the luminaire. Type 5 luminaires are universal for most area lighting applications.



## PHOTOCELL & MOTION SENSORS

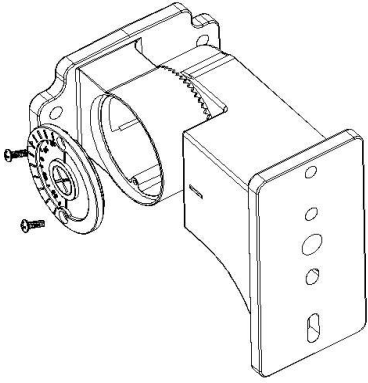
	<p><b>Photocell</b> No. LC-10DT Finish: Blue USE: Used for indoor or outdoor LED lamps, working with light sensing principle, the LC-10DT sensor (LC-10DT for 120-277V) is used for Light sensor.</p>		<p><b>SPECIFICATIONS AND CHARACTERISTICS:</b></p> <ul style="list-style-type: none"> <li>• UL Listed. Reference No.: E178670 Volts &amp; Cover Color</li> <li>- Blue standard for 120-277VAC</li> <li>• Turn-ON Light Level: 10-16 Lux</li> <li>• Turn ON/OFF Ratio: 1:3 to 4</li> <li>• Time Delay: 3-15 sec</li> <li>• Operating Temperature: -40°C to +70°C</li> <li>• Relay: 15A</li> <li>• MOV Surge Protection: 90J, 160J, 320J, 360J (4 options)</li> <li>• Energy Consumption: Less than 1Watt (120V&lt;0.5W)</li> <li>• Electrical Life: &gt;5000 cycles</li> <li>• Sensor Type: Silicon Photocell</li> <li>• Housing: UV stabilized PC</li> <li>• Failure Mode: Fail ON (standard), Fail OFF (for your option)</li> </ul>
	<p><b>Motion Sensor</b> No. BR1816-B-D Finish: White USE: The BR1816-B-D mounts in an outdoor lighting fixture and provides multi-level control based on motion. The sensor also includes a photocell to measure the ambient light level. It controls 0-10 VDC LED drivers, is rated for wet and cold locations. All control parameters are adjustable via a wireless configuration tool capable of storing and transmitting sensor profiles.</p>	 <p>BRI816-B-D RC-100 (OPTIONAL)</p>	<p><b>Motion Sensor</b> No. BR1816-B-D Finish: White The BR1816-B-D mounts in an outdoor lighting fixture and provides multi-level control based on motion and/or daylight contribution. It controls 0-10 VDC LED drivers or dimming ballasts, and is rated for wet and cold locations.</p>
	<p><b>Lamp Controller</b></p> <ul style="list-style-type: none"> <li>■ Standard Nema Socket: Plug and Play</li> <li>■ Comprehensive critical electrical parameters monitoring, A, V, Wh, W, Hz</li> <li>■ Water Proof IP65 protection grade</li> </ul>		<p><b>LoRa Gateway</b></p> <ul style="list-style-type: none"> <li>■ High capacity: up to 1000 street lights by one gateway</li> <li>■ Beaconing: periodically synchronizes the GPS time of all end devices, facilitating scheduled access and flawless operation of the LoRaWAN™</li> <li>■ Robust weather-proof design: IP67 protection grade</li> </ul>

## MOUNTING GUIDES

### Arm with Photocell Installation

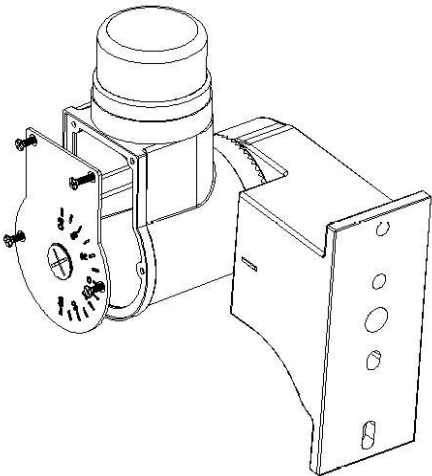
#### Step 1

As shown in the picture, open the connection box cover of the steering arm.



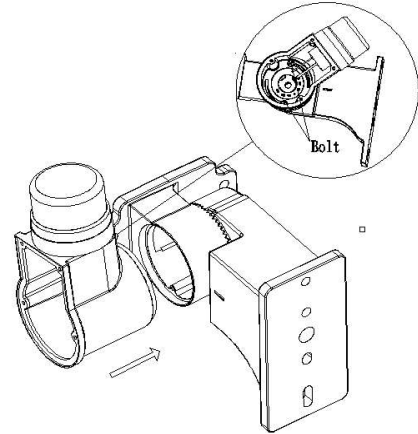
#### Step 3

Connect the photocell base with AC line and check it correctly. As the picture is shown, lock the junction box cover and turn on the electricity.



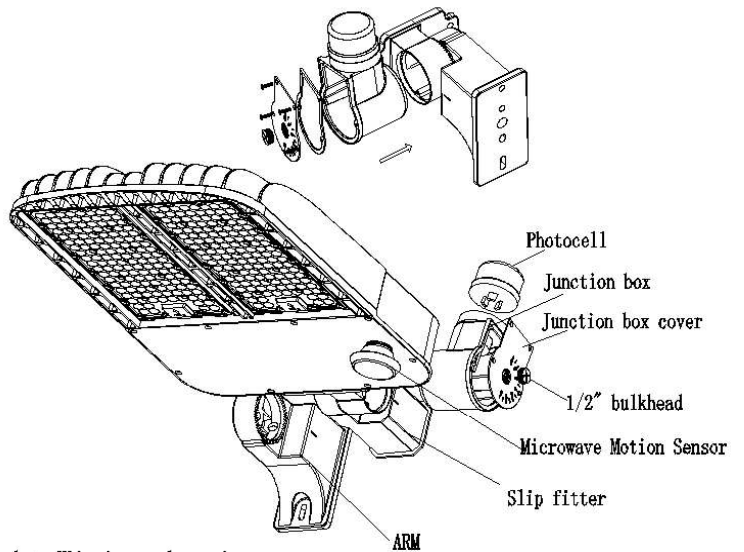
#### Step 2

As shown in the picture, the holes of the photocell in the junction box match with the screws of the mounting arm, then rotation and adjust the direction of the photocell, to ensure that the photocell is perpendicular to the ground.



#### Step 4

Assembly drawing



400W Shoebox Light Wiring drawing

