

# LED Sconce Light

LOT-WP-40-22/ LOT-WP-60-22  
 LOT-WP-80-22/ LOT-WP-100-22



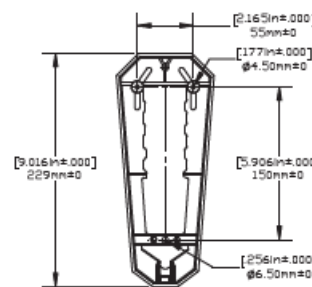
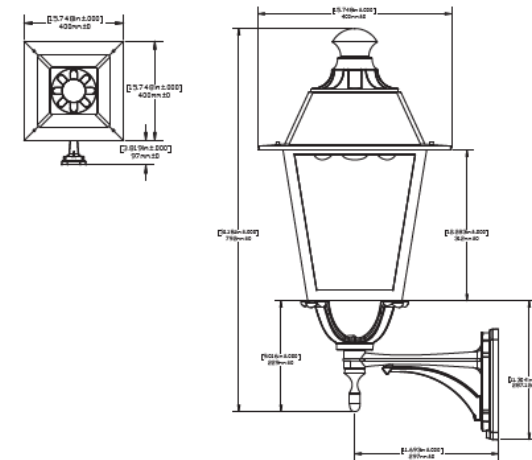
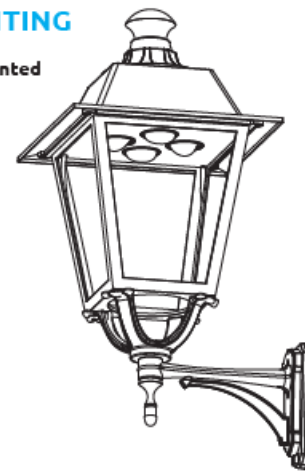
# LED Sconce Light

LOT-WP-40-22/ LOT-WP-60-22  
 LOT-WP-80-22/ LOT-WP-100-22

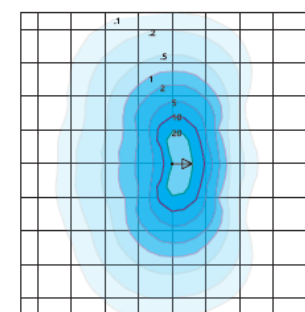
Product Number	LOT-WP-40-22/ LOT-WP-60-22/ LOT-WP-80-22/ LOT-WP-100-22
Lumen Output	5,460 - 8,060 - 10,660 - 13,260
Wattage	40W - 60W - 80W - 100W
Lumen Efficacy	>130
CCT	3000K - 4000K - 5000K
Beam Angle	T2S = Type II Short
Input Voltage	UNV = Universal 120-277 VAC HV = 347 VAC & 480 VAC
IP Rating	IP65
LED Driver	UL/CUL Listed Constant Current
Certification	ETL, FCC, IES, DLC, LEDLF, RoHS, IDA

### MOUNTING

Wall Mounted



### DISTRIBUTION



Type II Short - T2S  
 Duke Light  
 LED-WP-711-W-T2S-100-850-UNV  
 Horizontal Footcandles  
 Scale: 1 Mesh = 10 Ft.  
 Light Loss Factor = 1.00  
 Total Lamp Lumens = 13267.9  
 MH = 10.00 Ft, Tilt = 0 Degrees  
 Maximum Calculated Value = 26.91 Fc  
 Arrangement: Single  
 Horizontal Beam Angle (50%): 138.5°  
 Vertical Beam Angle (50%): 79.8°

# Product Description

The LED architectural walkway light series, LOT-WP-40-22, is a decorative wall sconce perfect for hotels, residential communities, commercial plazas, city centers, and public buildings. This product comes with an outdoor-rated LED chip, providing stable color consistency, and the built-in heat sink provides heat management, allowing for a lifespan of over 50,000 hours. Waterproof with die-cast aluminum housing, this LED Decorative Sconce Light is built for durability. Optional features such as daylight sensor controls are also available.



www.LightingofTomorrow.com  
 1-800-538-4446