

# LED Sconce Light

LOT-WP-40-23/ LOT-WP-60-23

LOT-WP-80-23/ LOT-WP-100-23



# LED Sconce Light

LOT-WP-40-23/ LOT-WP-60-23

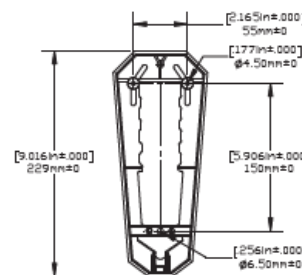
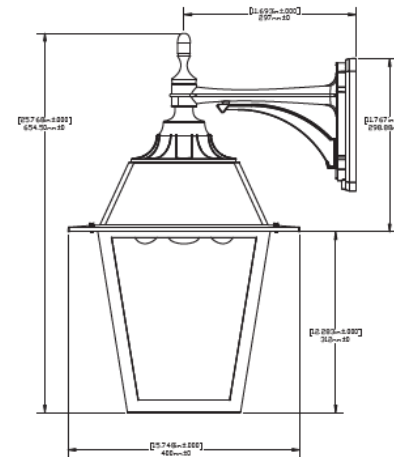
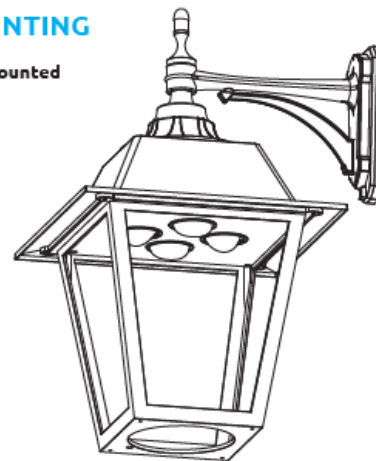
LOT-WP-80-22/ LOT-WP-100-23

Product Number	LOT-WP-40-23/ LOT-WP-60-23/ LOT-WP-80-23/ LOT-WP-100-23
Lumen Output	5,460 - 8,060 - 10,660 - 13,260
Wattage	40W - 60W - 80W - 100W
Lumen Efficacy	>130
CCT	3000K - 4000K - 5000K
Beam Angle	T2S = Type II Short
Input Voltage	UNV = Universal 120-277 VAC HV = 347 VAC & 480 VAC
IP Rating	IP65
LED Driver	UL/CUL Listed Constant Current
Certification	ETL, FCC, IES, DLC, LEDLF, RoHS, IDA

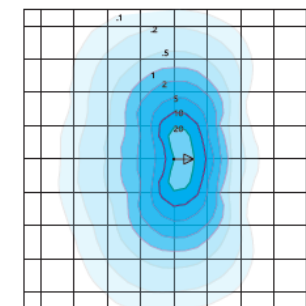
The LOT-WP-40-23 series is an excellent light for both commercial and residential properties. Designed for superior photometric performance and architectural appeal, this light comes equipped with a rated LED chip and advanced optical system providing stable color consistency, energy efficiency, reduced glare, and excellent light quality. A perfect choice for LED outdoor lighting, the IP65 rated housing provides excellent strength and durability for multiple weather conditions. This series has a lifespan of over 50,000 hours and a 5-year manufacturer warranty.

## MOUNTING

Wall Mounted



## DISTRIBUTION



Type II Short - T2S  
 Duke Light  
 LED-WP-712-W-T2S-100-850-UNV  
 Horizontal Footcandles  
 Scale: 1 Mesh = 10 FT.  
 Light Loss Factor = 1.00  
 Total Lamp Lumens = 13267.9  
 MH = 10.00 FT. Tilt = 0 Degrees  
 Maximum Calculated Value = 26.91 Fc  
 Arrangement: Single  
 Horizontal Beam Angle (50%): 138.5°  
 Vertical Beam Angle (50%): 79.8°



www.Lightingoftomorrow.com  
 1 - 800 - 538 - 4446