

LED Sconce Light

LOT-WP-40-24/ LOT-WP-60-24
 LOT-WP-80-24/ LOT-WP-100-24



LED Sconce Light

LOT-WP-40-24/ LOT-WP-60-24
 LOT-WP-80-24/ LOT-WP-100-24

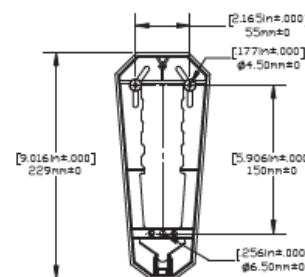
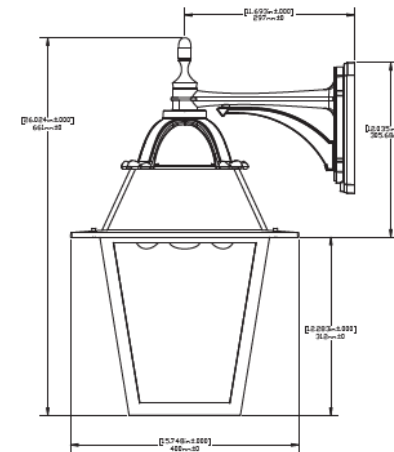
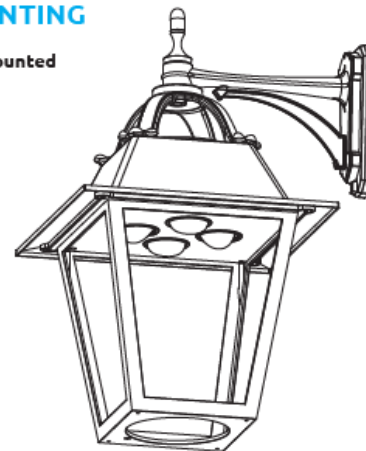
Product Number	LOT-WP-40-24/ LOT-WP-60-24/ LOT-WP-80-24/ LOT-WP-100-24
Lumen Output	5,460 - 8,060 - 10,660 - 13,260
Wattage	40W - 60W - 80W - 100W
Lumen Efficacy	>130
CCT	3000K - 4000K - 5000K
Beam Angle	T2S = Type II Short
Input Voltage	UNV = Universal 120-277 VAC HV = 347 VAC & 480 VAC
IP Rating	IP65
LED Driver	UL/CUL Listed Constant Current
Certification	ETL, FCC, IES, DLC, LEDLF, RoHS, IDA

Product Description

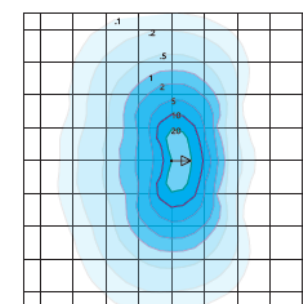
The LOT-WP-40-24 series is a fantastic LED outdoor lighting choice for parking lots, retail properties, and community associations. This LED wall sconce lighting fixture offers excellent energy efficiency and light quality with reduced glare. The optical glass lens technology effectively aims the light where you need it, while eliminating the unsightly shadow circles commonly seen under other LED post top fixtures. An enduring powder coated finish provides long-term protection against ultraviolet light and chipping. Motion sensor and dimming options available.

MOUNTING

Wall Mounted



DISTRIBUTION



Type II Short - T2S
 Duke Light
 LED-WP-713-W-T2S-100-850-UNV
 Horizontal Footcandles
 Scale: 1 Mesh = 10 Ft.
 Light Loss Factor = 1.00
 Total Lamp Lumens = 13267.9
 MH = 10.00 Ft, Tilt = 0 Degrees
 Maximum Calculated Value = 26.91 Fc
 Arrangement: Single
 Horizontal Beam Angle (50%): 138.5°
 Vertical Beam Angle (50%): 79.8°



www.LightingofTomorrow.com
 1-800-538-4446